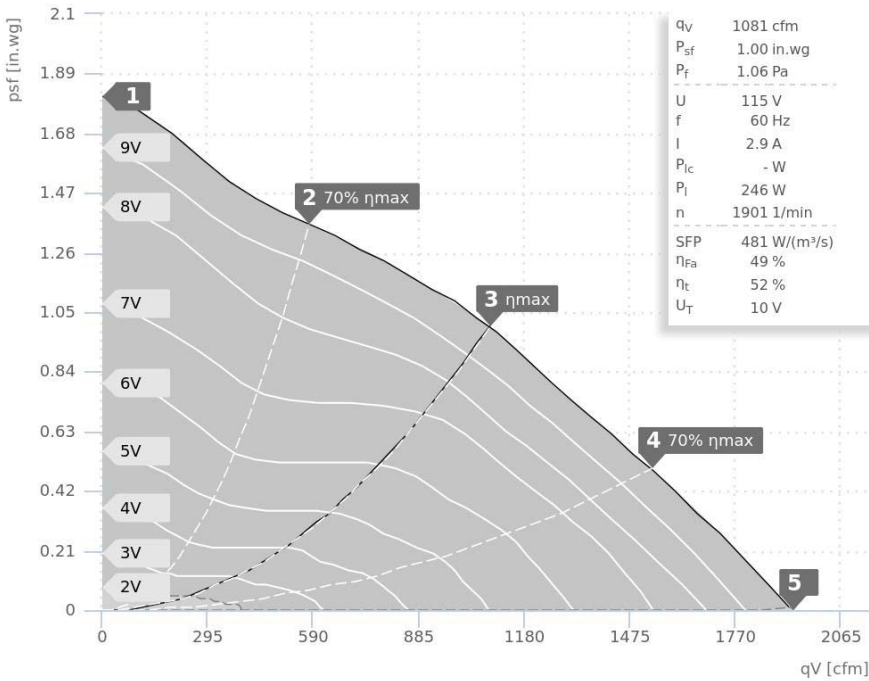


# DATA SHEET

## 14" Prime Evo EC | 147734



Operating Point		1	2	3	4	5
Current I	A	0,0	0,0	0,0	0,0	0,0
Power consumption P <sub>l</sub>	W	-	-	-	-	-
RPM n	1/min	-	-	-	-	-
SPL inlet L <sub>WA5</sub>	dB(A)	-	-	-	-	-
SPL outlet L <sub>WA6</sub>	dB(A)	-	-	-	-	-
SPL casing break out L <sub>WA2</sub>	dB(A)	-	-	-	-	-

Sound power (L <sub>W</sub> ) dB(A)		Medium Frequency Band								
		Σ	63	125	250	500	1k	2k	4k	8k
Inlet	L <sub>WA5</sub>	-	-	-	-	-	-	-	-	-
Outlet	L <sub>WA6</sub>	-	-	-	-	-	-	-	-	-
Casing	L <sub>WA2</sub>	-	-	-	-	-	-	-	-	-

14" Prime Evo EC   147734	
Voltage U <sub>N</sub>	120 V 1~
Current I <sub>max</sub>	3,1 A
Ambient temperature t <sub>A</sub>	40 °C
Medium temperatures t <sub>M</sub>	40 °C
Speed Control	0-10V
Motor protection	TEC
Insulation class motor	F
Weight	0,0 kg
Poles	-
IP motor	IP30
IP terminal box	IP44
Min. operating temperature	-25 °C

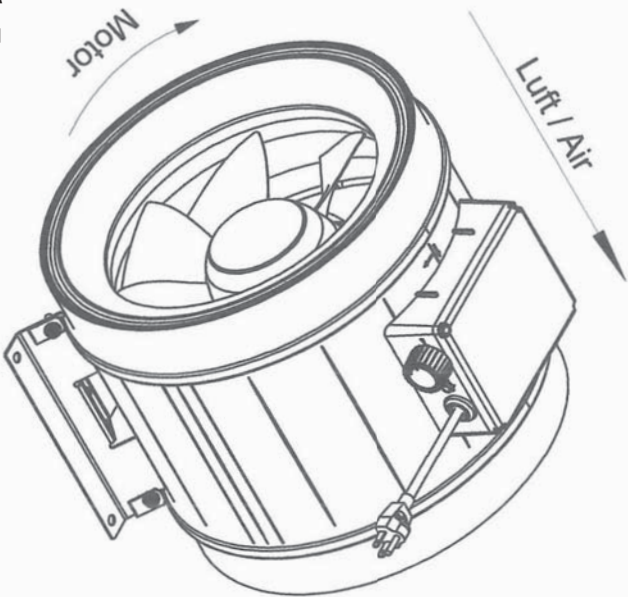
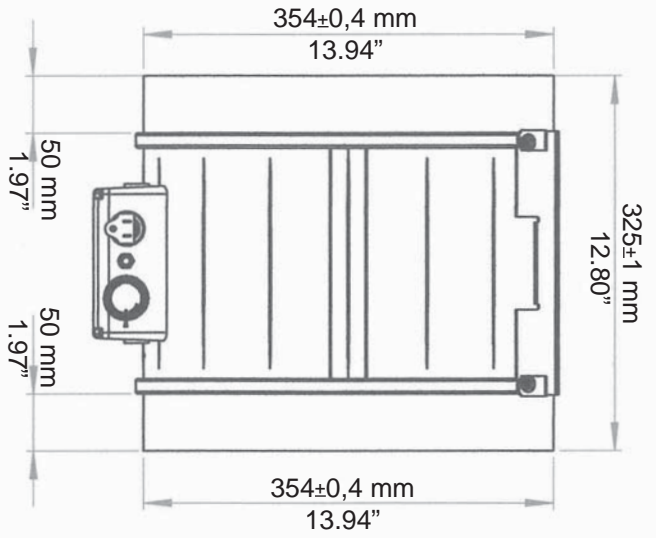
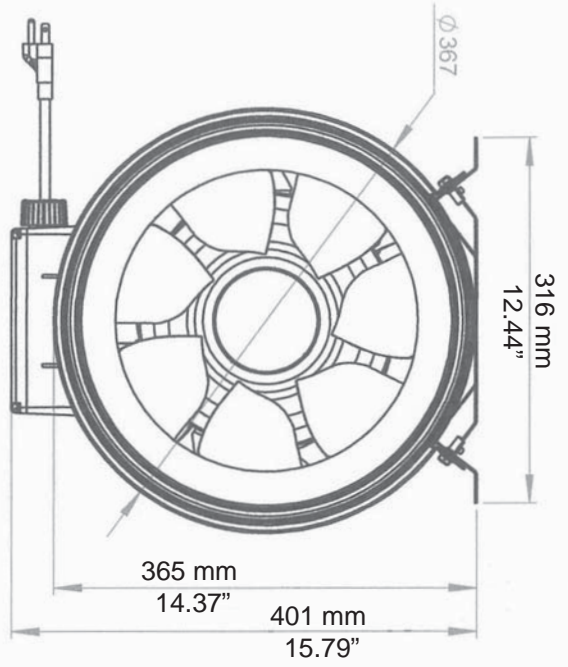
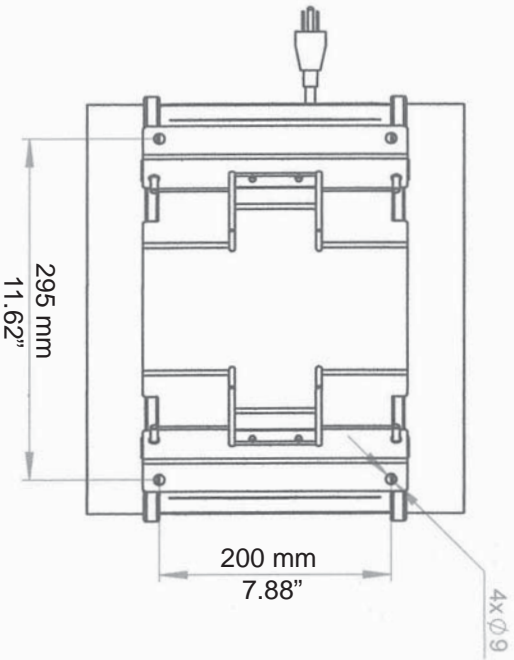
### Ruck Air Movement - Master Series by



2082 58th Ave. Circle E.  
Bradenton, FL 34203

Phone: 941.739.0879  
Fax: 941.739.0881

www.mastervent.com marion.pye@mastervent.com



www.mastervent.com  
marion.pye@mastervent.com

2082 58th Ave. Circle E.  
Bradenton, FL 34203  
Phone: 941.739.0879  
Fax: 941.739.0881

14" Prime EVO EC 147734



**SUBMITTAL DATA and SPECIFICATIONS for MVP/RAM SERIES**

**SERIES: Mixed Flow**

**Prime EVO EC Models**

**Application:** Inline Mixed Flow Fans/ Blowers designed to supply/exhaust applications for Residential, Commercial, Light Industrial and OEM market.

**Manufacturer:** Ruck (EU)

**Material of Construction:** All models shall be constructed of corrosion resistant plastic for Housing and Mixed Flow Impeller.

**Impeller:** Impeller shall be constructed of corrosion resistant plastic. Impeller shall be Computer precision designed and will have plastic protection where attached to Motor Shaft.

**Material Temperature Limitations:** Shall be from 40C/104F to 60C/140F Ambient to 40C/104F to 40C/104F Medium for Models as specified.

**Motors:** Shall be energy efficient EC Motors and Speed Controllable with 0 to 10V DC Signals. Motors shall be 120V/1/60 AC input for Models 6” Prime EVO EC through 14” Prime EVO EC or 240V /1/60 AC input for Models 14” Prime EVO EC HO and 16” Prime EVO EC as specified. Motors shall be rated Continuous Duty with sealed for life Maintenance Free Ball Bearings. Motors shall be Thermally Protected. Motor Shall be in the Airstream for efficient heat dissipation and will be encased in Housing Material of Construction.

**Mounting Bracket:** Shall be included as Standard and integral with all models.

**Safety Certifications:** All fans shall conform to ANSI/UL 507 Standard and Certified to Canada Standard C22.2 NO. 113. Intertek 5030171. Fans shall bear the C ETL US Label.

**Performance and Sound Certification:** Shall be certified to ISO 5801 Standards.

PROJECT				ARCHITECT				
CONTRACTOR		DATE	SUBMITTED BY		ENGINEER			
<b>SPECIFICATION</b>								
Fan Position	Model #	CFM	In. WG	RPM	Watts	Voltage / Phase	Qty	Accessories

**WARNING: DO NOT USE IN HAZARDOUS ENVIRONMENTS WHERE FAN’S ELECTRICAL SYSTEM COULD PROVIDE IGNITION TO COMBUSTIBLE OR FLAMMABLE MATERIALS!**